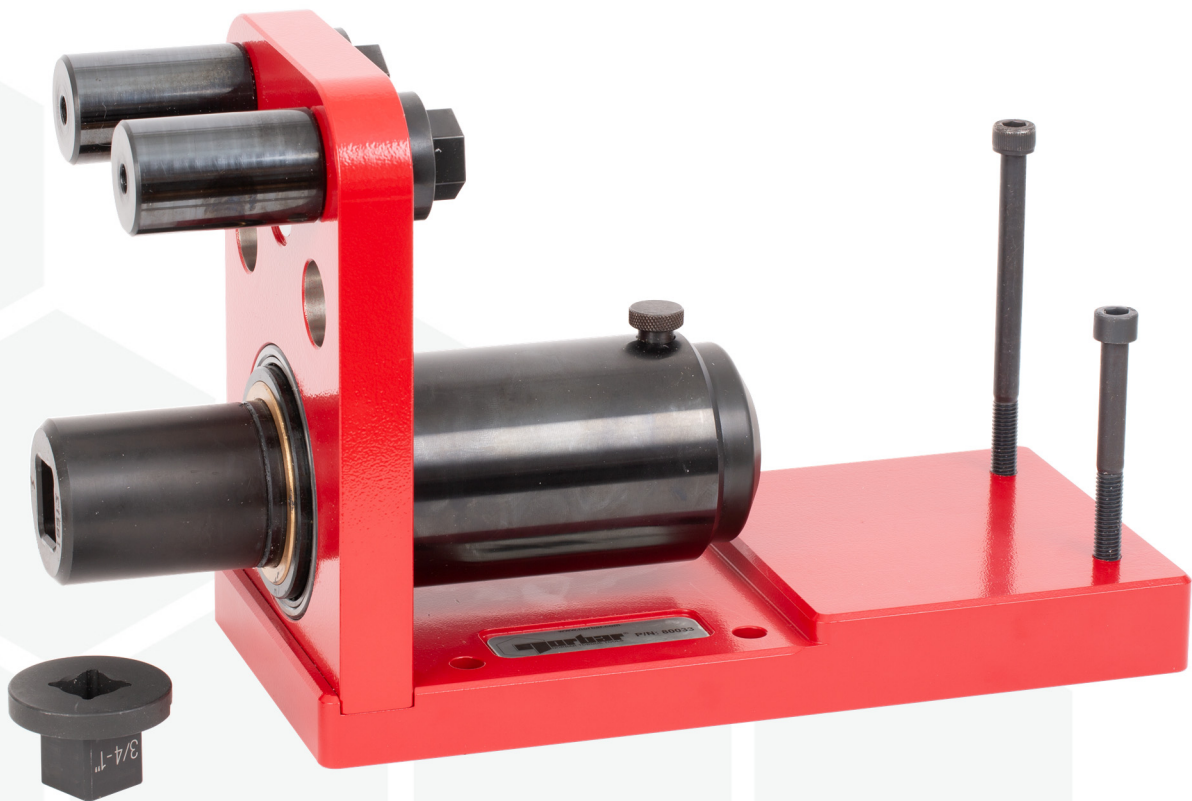


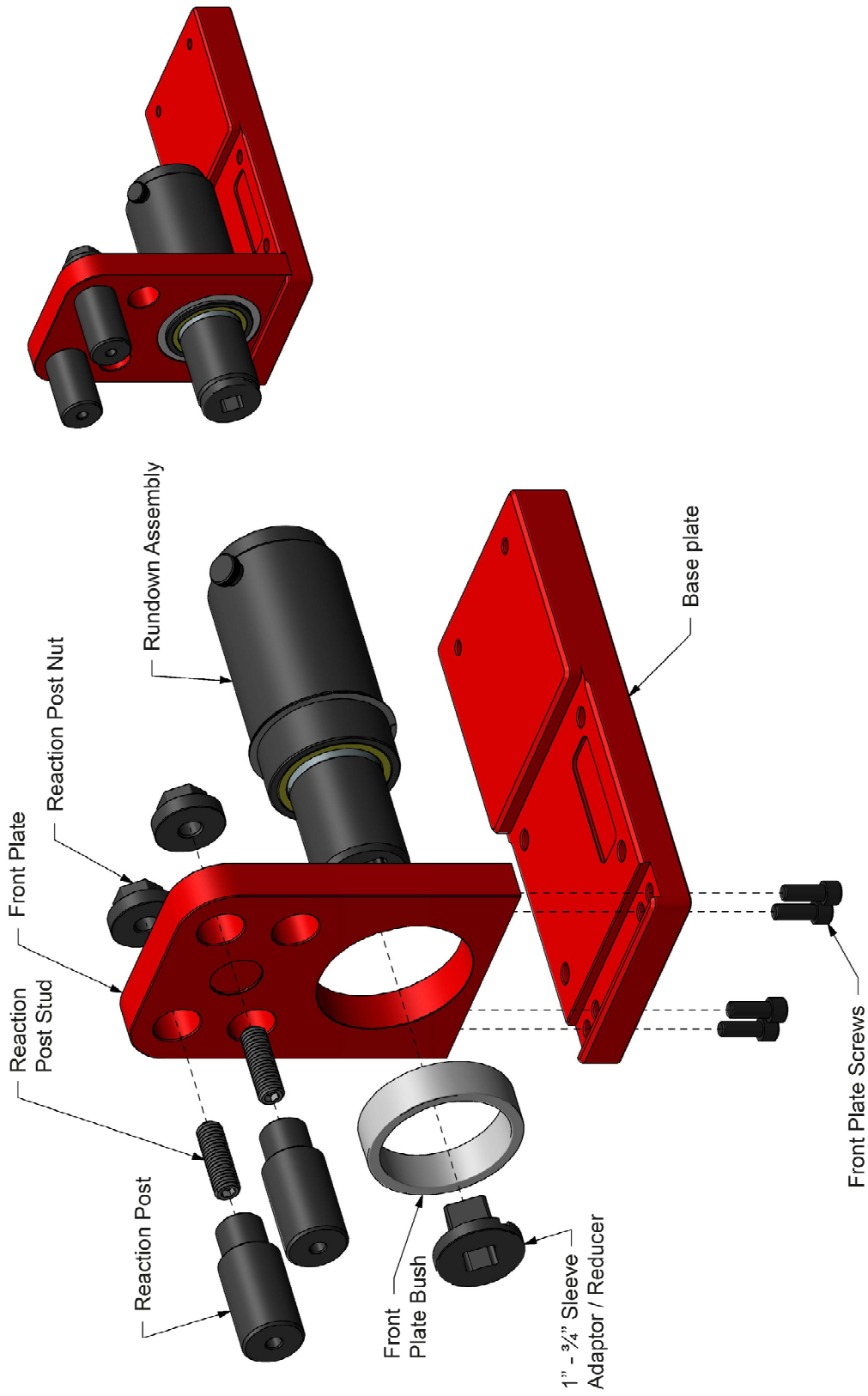
**POWER TOOL TEST FIXTURE
FOR TRUCHECK™ 2 - 80033**

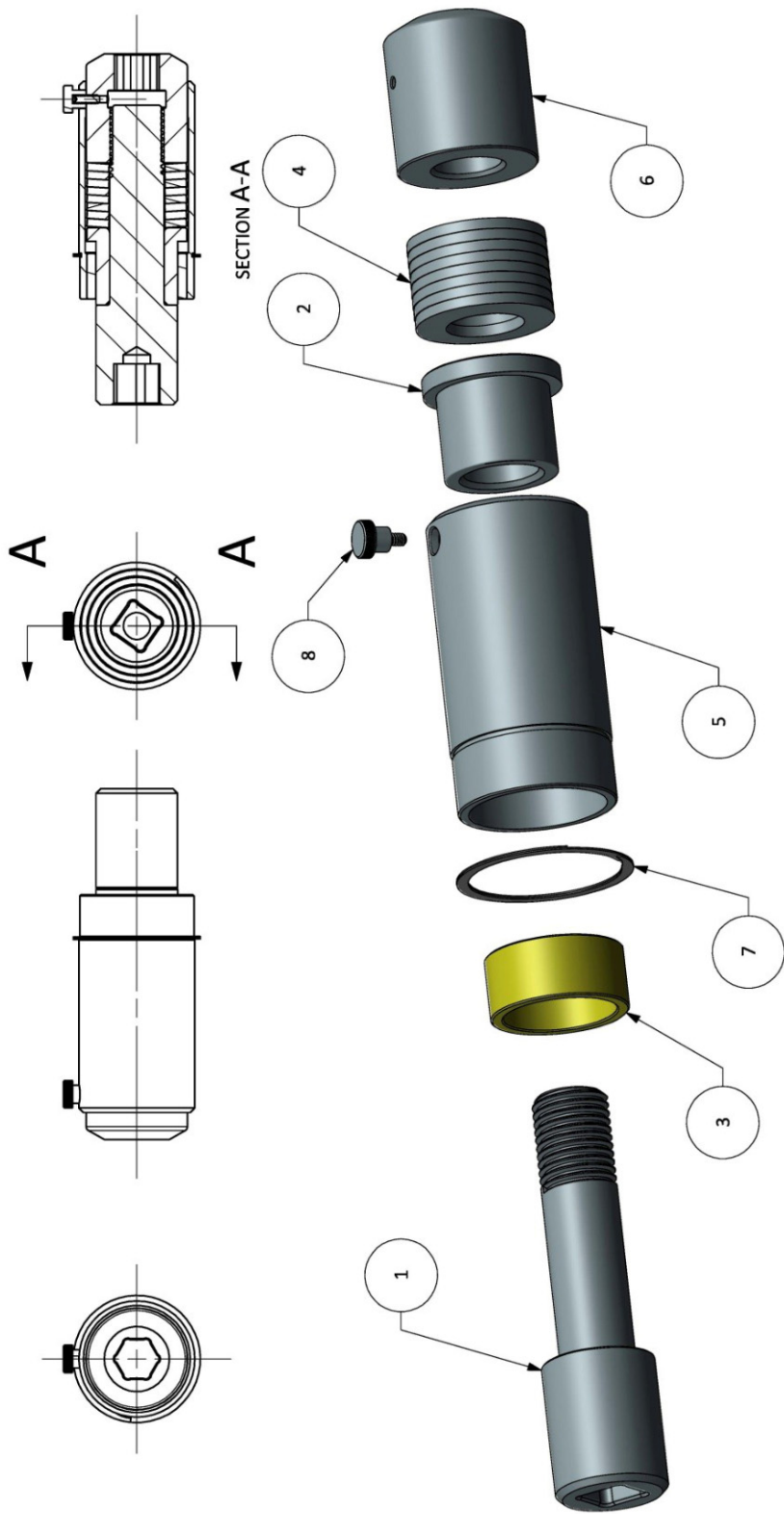


CONTENTS

Parts Breakdown	2
Outline Drawing	4
Important Notes	4
Introduction	4
Partnering Equipment	4
Installation Instructions	5
Operation	5
Maintenance	5
Washer Stack Options	6

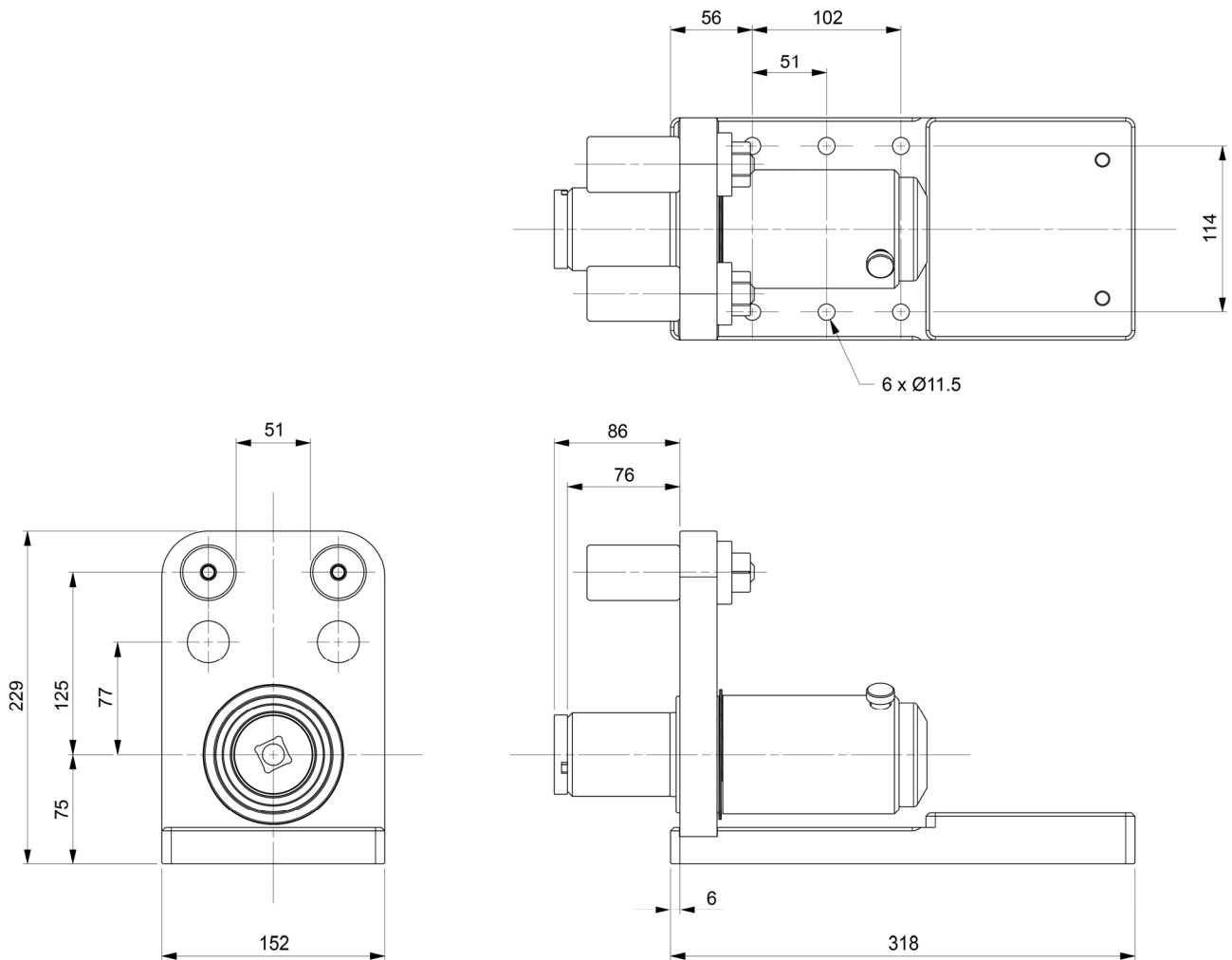
Parts Breakdown





ITEM	PART NAME
1	RUNDOWN SCREW (81045)
2	DRILL BUSHING, MODIFIED (81043)
3	BEARING, MODIFIED BRONZE
4	BELLEVILLE WASHER STACK (81044)
5	HOUSING
6	HUB (81045)
7	SPIRAL EXTERNAL RETAINING RING 3-1/4"
8	KNOB ASSEMBLY

Outline Drawing



IMPORTANT NOTES

1. Never use this fixture with an impact or impulse tool! Doing so can result in damage to the kit components and/or inaccurate results.
2. When using this rundown fixture with a non-reacting tool, for best results, be sure to properly support the tool and hold the tool square to the joint.

INTRODUCTION

The Power Tool Test Fixture for TruCheck™ 2 is a simple, robust device that allows non-impacting power tools up to 2,100 N·m to be tested. A system comprises the Test Fixture with a TruCheck™ 2 Plus (to be ordered separately), either the 1,100 N·m or 2,100 N·m models, depending on the torque capacity required. The universal torque reaction arrangement will suit reaction arms supplied as standard with most Norbar and other pneumatic, electric and cordless torque tools.

Partnering Equipment

Part Number	Description	Torque Range
43531	TruCheck™ 2 Plus 1,100	50 – 1,100 N·m
43533	TruCheck™ 2 Plus 2,100	200 – 2,100 N·m

INSTALLATION INSTRUCTIONS

1. Unpack fixture, inspect and mount to secure surface.
2. Slide TruCheck™ 2 onto fixture hex and secure with (2) M10 SHCS. Torque to 83 N·m.
3. Check rundown screw is loose. Bolt should be able to be turned by hand with ease when not tightened down.
4. Install Reaction Posts in desired position using mounting holes provided in the Front Plate. Insert a 8 mm hex drive into the front of the Reaction Post to hold in place. Tighten Reaction Post Nut with a 27 mm wrench.
5. Follow TruCheck™ 2 plus instructions to setup TruCheck™ 2. TruCheck™ 2 Plus should be set to dial mode when used with rundown.

OPERATION

1. Set TruCheck™ 2 to the dial mode and zero (reset) readings. Refer to Operator's Manual (part #34471) supplied with the TruCheck™ 2 Plus unit for TruCheck™ 2 operating instructions.
2. Verify that reaction is securely hitting a Reaction Post or a surrounding secure surface. Set tool and run the 1 ½" drive screw into the rundown.
3. Record reading.
4. Back off screw. Verify that once backed out, the screw turns freely. If the screw becomes difficult to turn, the thread may be damaged and the rundown screw and hub components should be replaced.
5. Reset TruCheck™ 2 reading (zero).

MAINTENANCE

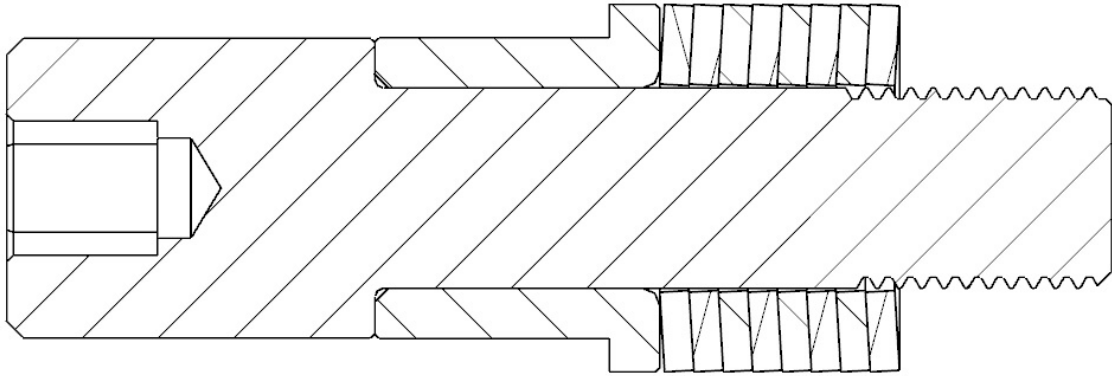
Periodically the rundown should be torn down, inspected and re-greased.

1. Remove TruCheck™ 2 Plus from plate.
2. Remove drive screw from front of assembly.
3. Remove the washer stack. (Note the orientation of the washers).
4. Clean and inspect all parts.
5. Lightly grease washers with a thick, high pressure, molybdenum grease.
6. Liberally coat the threads with a thick, high pressure, molybdenum grease.
7. Select a washer stack configuration from one of the options provided.
8. Reassemble and clean exterior of fixture.

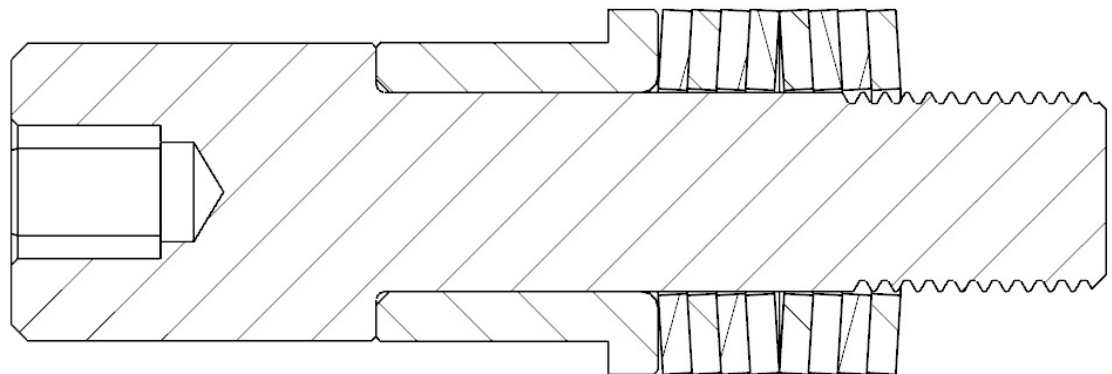
WASHER STACK OPTIONS

The spring washers included with the TruCheck™ 2 Rundown Fixture kit can be arranged in various combinations to produce different joint simulations. The kit is shipped with the washers configured to option #1. Please note that **exceeding the maximum torque** value for any of these washer stack configurations **can result in permanent damage** to the washers, bolt and/or rundown housing.

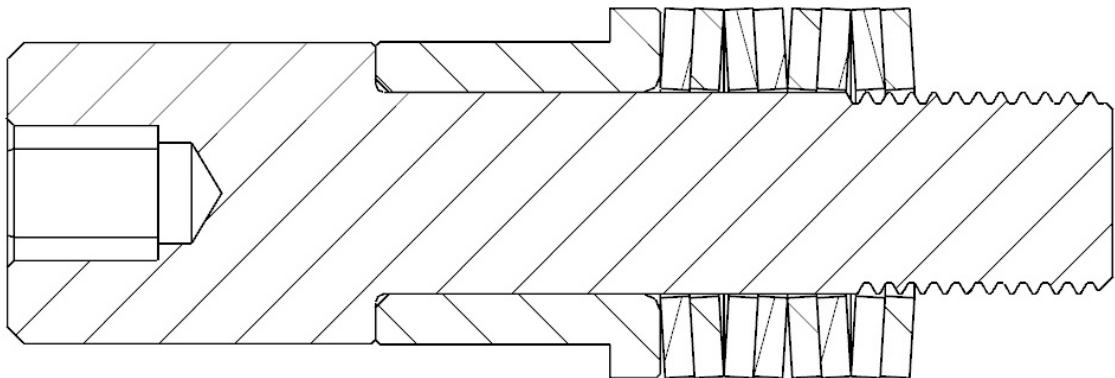
#1: 1,475 lbf-ft / 2,000 N·m max. 8x1 washer stack, 8 washers in the same direction.



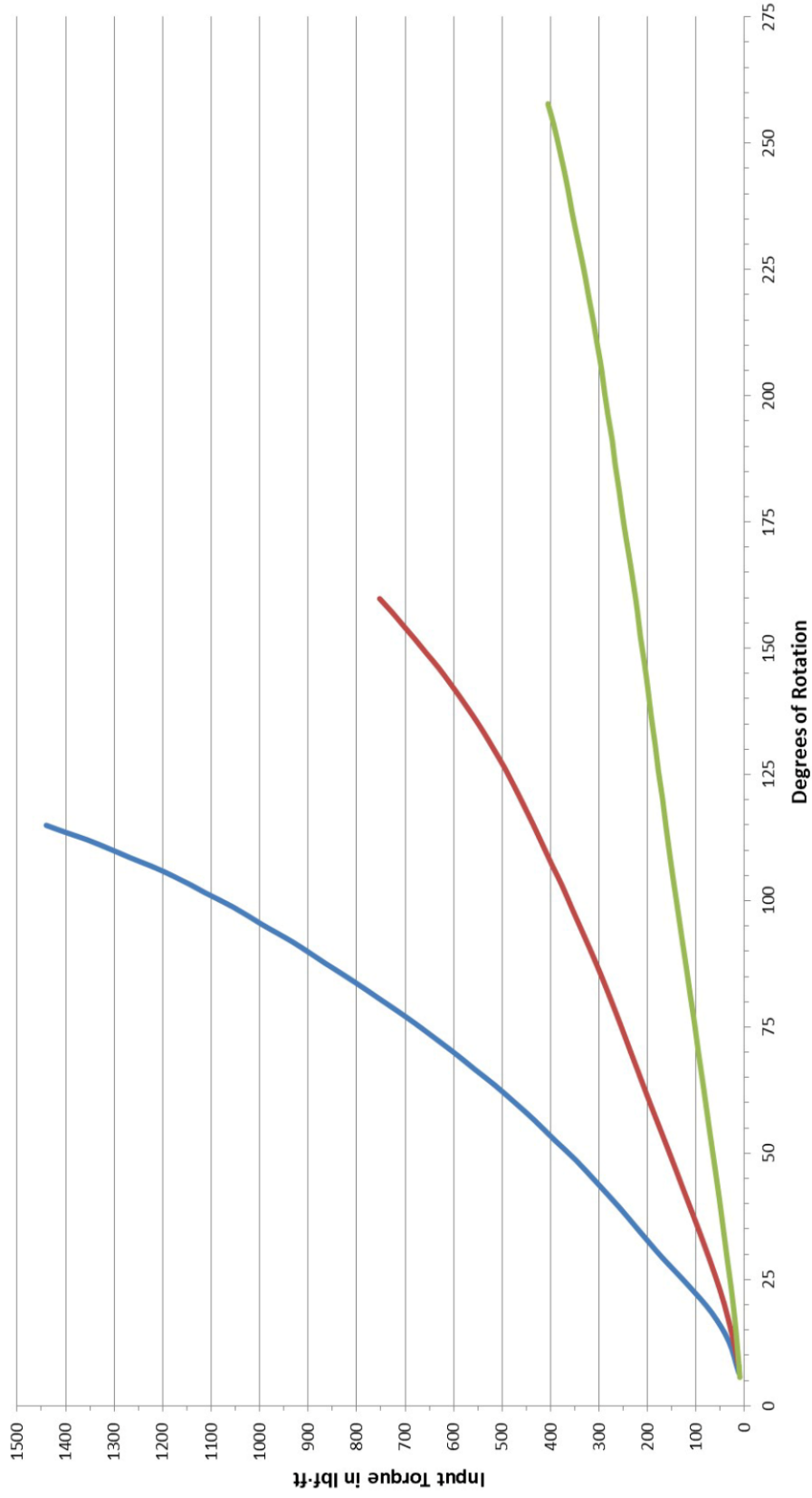
#2: 750 lbf-ft / 1,010 N·m max. 4x2 washer stack, 2 stacks of 4 washers each, opposing.



#3: 400 lbf-ft / 540 N·m max. 2x4 washer stack, 4 stacks of 2 washers each, opposing.



1475 lbf·ft Rundown Washer Stack Comparison



NORBAR TORQUE TOOLS LTD

Wildmere Road, Banbury,
Oxfordshire, OX16 3JU

UNITED KINGDOM

Tel + 44 (0)1295 270333

Email enquiry@norbar.com

For the most up-to-date
version of the Operator's
Manual, please scan the
QR code below.



To find your local
Norbar company or
distributor, please scan
the QR code below.



www.norbar.com